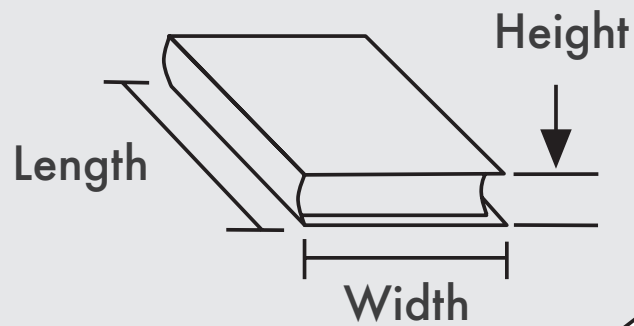
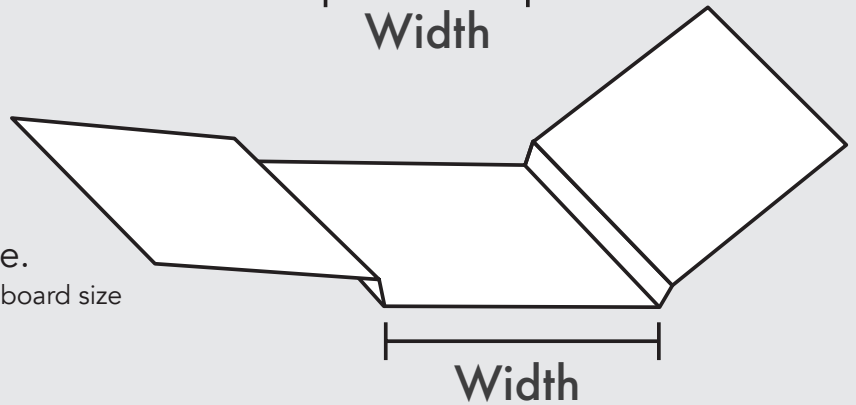


Measuring for Rare Book Boxes

1. Measure your book.



2. Determine the first board size.
(Book width x 3) + (Book height x 2) = First board size



3. Determine the second board size.
(Book length x 3) + (Book height x 2) = Second board size

4. Crease boards with scoring wheel, attach VELCOIN® fasteners and fold over book.

